

Sewage Submersible Pumps

Types **SS 423/3/3**

SS 423/3/3
Power Input and Performance Data

Capacity up to 160 GPM, heads up to 90 ft.

Specifications

>> Motor data

Squirrel cage 3-phase induction motor
Frequency 60 HZ
Insulation class H(+180 °C)
Ingress of protection IP68

Voltage variation
-continuously running Max ± 5%
-intermittent running Max ± 10%

Voltage imbalance between phases Max ± 2%
No. of start/hour Max 10

>> Material

Pump housing Cast iron GG25
Stator housing Stainless steel 304, 316L, Cast iron
Impeller Stainless steel 304, 316L, Cast iron
Shaft Stainless steel ANSI 420
O-ring Viton rubber

>> Mechanical face seals

Upper Silicon carbide/Carbon
Lower Tungsten carbide/Silicon Carbide

>> Bearings

Upper Deep groove ball bearing
Lower Deep groove ball bearing

Fasteners. Stainless steel ANSI 304.

Options.

Rubber-lined wear parts
Various cable sizes.

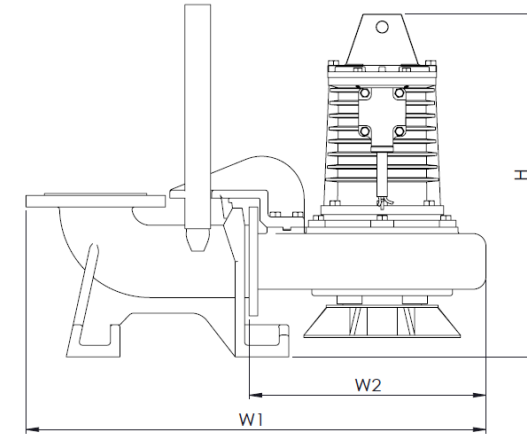
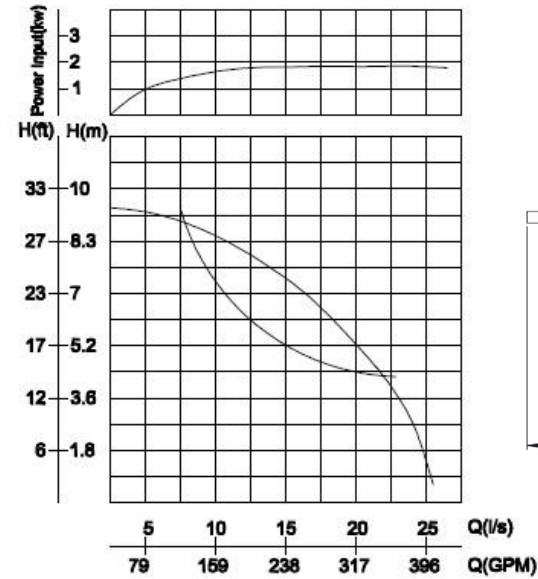
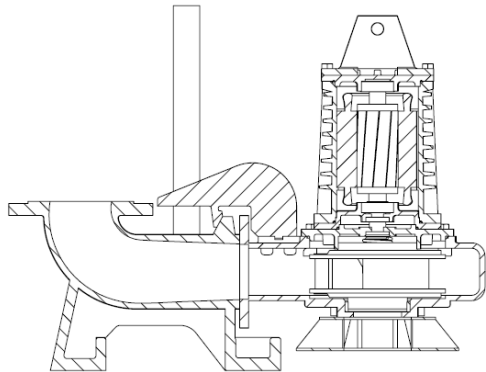
Accessories.

Hose connection and other mechanical accessories. Electrical accessories such as controller, control panels, starter, monitoring relays, cables.



Applications:

SS 423/3/3 are used mainly for pumping sewage, waste water and storm water in municipal pump stations, and sludge in sewage treatment plants.



Dimensions						
W ₁ inches	W ₁ mm	W ₂ inches	W ₂ mm	H inches	H mm	Weight Lbs. kg
SS 423/3/3						
28	720	15	370	21	535	121 55

VERSION	HP	PHASE	VOLTS	FLA	STARTING CURRENT	CABLE SIZE AWG
SS 423/3/3	3	3	460	3.5	17.5	
			600	2.7	13.5	