

Dewatering & Drainage Pumps

Types **DD 200/8/60 HT**
DD 200/10/60 MT

Capacity up to 3900 GPM, heads up to 120 ft.



Specifications

>> Motor data

Squirrel cage 3-phase induction motor
Frequency 60 HZ
Insulation class H(+180 °C)
Ingress of protection IP68

Voltage variation
-continuously running Max ± 5%
-intermittent running Max ± 10%

Voltage imbalance between phases Max ± 2%
No. of start/hour Max 15

>> Material

Outer casing Aluminum
Impeller High chrome alloyed
Wear parts Rubber-liner
Stator housing Cast iron GG25
Strainer Steel
Shaft Stainless steel ANSI 420
O-ring Viton rubber

>> Mechanical face seals

Upper Silicon carbide/Carbon
Lower Tungsten carbide/Silicon Carbide

>> Bearings

Upper Cylindrical roller bearing
Lower Deep groove ball bearing

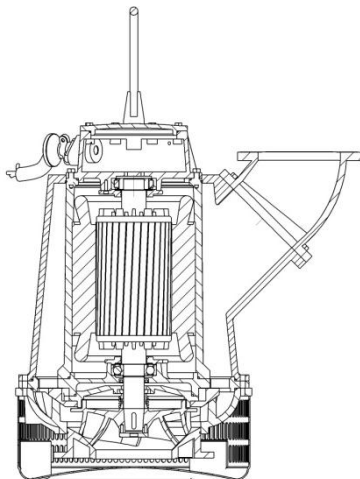
Fasteners. Stainless steel ANSI 304.

Options.

Rubber-lined wear parts
Various cable sizes.

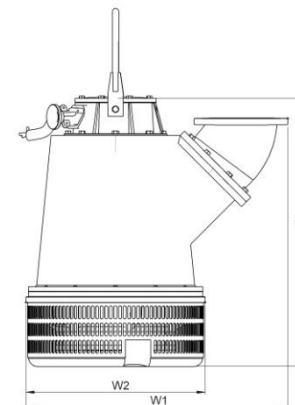
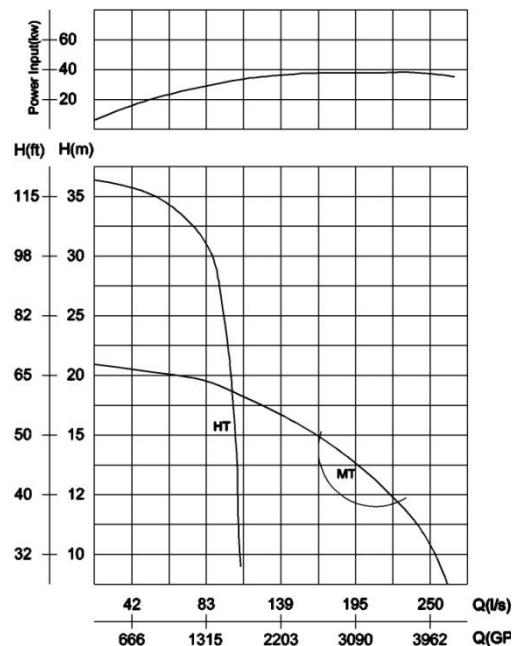
Accessories.

Hose connection and other mechanical accessories. Electrical accessories such as controller, control panels, starter, monitoring relays, cables.



DD 200/8/60 HT & DD 200/10/60 MT

Power Input and Performance Data



Dimensions							
W ₁ inches	W ₁ mm	W ₂ inches	W ₂ mm	H inches	H mm	Weight	
						Lbs.	kg
DD 200/8/60 HT							
23	575	33	830	37	950	860	390
DD 200/10/60 MT							
23	575	33	830	37	950	860	390

VERSION	IMP. CODE	HP	PHASE	VOLTS	FLA	STARTING CURRENT	CABLE SIZE AWG
DD 200/8/60 HT	HT	60	3	460	71	*Δ 178	
				600	54	*Δ 135	
DD 200/10/60 MT	MT	60	3	460	71	*Δ 178	
				600	54	*Δ 135	