

Dewatering & Drainage Pumps

Types **DD 350/12/150 HT**
DD 350/14/150 MT

Capacity up to 8000 GPM, heads up to 200 ft.



Specifications

>> Motor data

Squirell cage 3-phase induction motor
Frequency 60 HZ
Insulation class H(+180 °C)
Ingress of protection IP68

Voltage variation
-continuously running Max ± 5%
-intermittent running Max ± 10%

Voltage imbalance between phases Max ± 2%
No. of start/hour Max 15

>> Material

Outer casing Aluminium
Impeller High chrome alloyed
Wear parts Rubber-liner
Stator housing Cast iron GG25
Strainer Steel
Shaft Stainless steel ANSI 420
O-ring Viton rubber

>> Mechanical face seals

Upper Silicon carbide/Carbon
Lower Tungsten carbide/Silicon Carbide

>> Bearings

Upper Cylindrical roller bearing
Lower Deep groove ball bearing, the lower row is angular contact

Fasteners. Stainless steel ANSI 304.

Options.

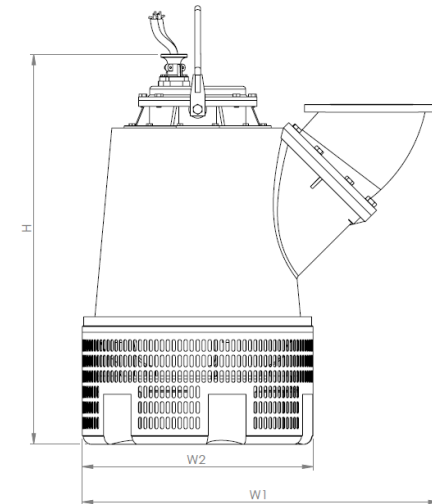
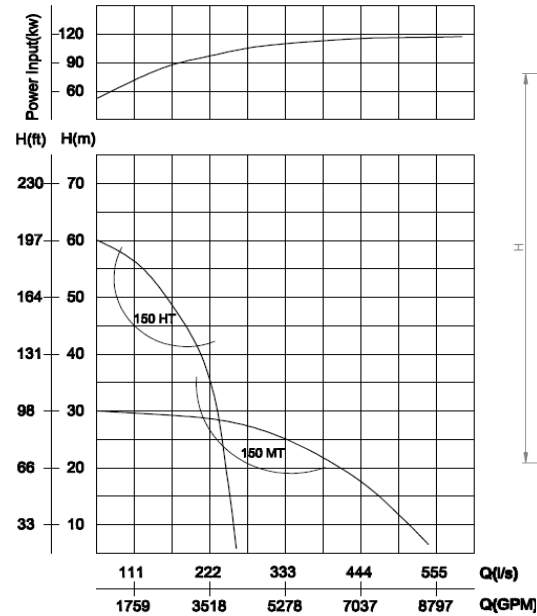
Rubber-lined wear parts
Various cable sizes.

Accessories.

Hose connection and other mechanical accessories. Electrical accessories such as controller, control panels, starter, monitoring relays, cables.

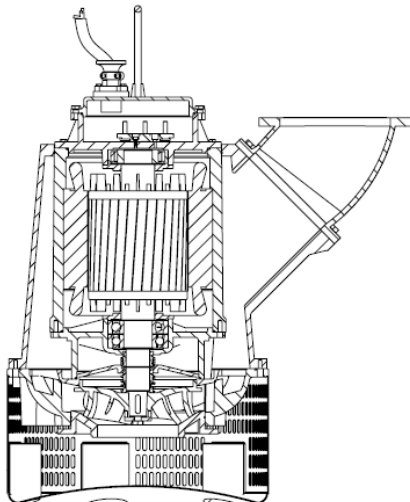
DD 350/12/150 HT & DD 350/14/150 MT

Power Input and Performance Data



Applications:

DD 350/12/150 HT and DD 350/14/150 MT move large volumes of water quickly and efficiently in mines, tunnels, cofferdams, deep excavations, construction sites, etc. They are specially designed to handle media containing highly abrasive materials, such as clay, sand, drilling dust, etc.



Dimensions							
W ₁	W ₁	W ₂	W ₂	H	H	Weight	
inches	mm	inches	mm	inches	mm	Lbs.	kg
DD 350/12/150 HT							
47	1200	32	820	47	1200	2006	910
DD 350/14/150 MT							
47	1200	32	820	47	1200	2006	910

VERSION	IMP. CODE	HP	PHASE	VOLTS	FLA	STARTING CURRENT	CABLE SIZE AWG
DD 350/12/150 HT	HT	150	3	460	177	*Δ 443	
				600	135	*Δ 340	
DD 350/14/150 MT	MT	150	3	460	177	*Δ 443	
				600	135	*Δ 340	